

# 316 TRI-CLAMP CHECK VALVE

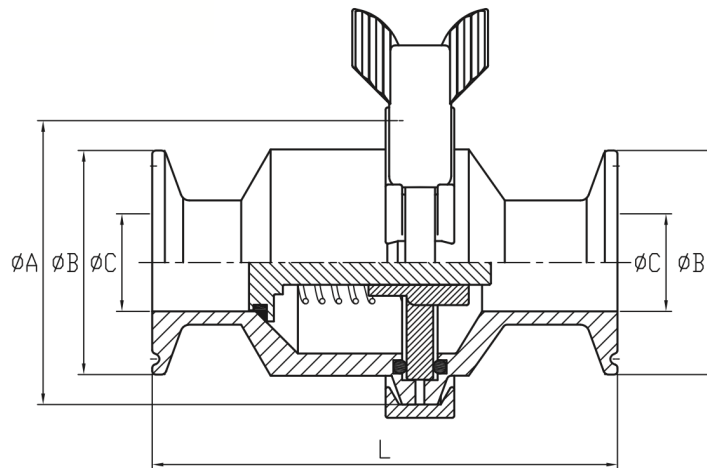


**COLE**  
**INDUSTRIAL**  
PVF | SANITARY | STRUCTURAL  
—STREAMLINED—



## FEATURES

- Prevent process backflow
- 304 and 316L Stainless Steel Alloy
- 32Ra Finish (Roughness Average)
- Suitable for low and medium viscosity fluids
- Maximum operating pressure: 140 PSI depending on valve size at 70°F ambient temperature
- Clamp ends come with Silicone seal as standard



SIZE	A	B	C	L
1/2"	2.00	1	0.37	3.5
3/4"	2.25	1	0.60	3.5
1"	2.50	2	0.87	4.13
1.5"	3.00	2	1.40	4.56
2"	3.50	2.5	1.87	5.06
2.5"	4.20	3	2.37	5.37
3"	4.70	3.5	2.87	6.13
4"	5.70	4.7	3.84	8.13



[www.coleindustrial.com](http://www.coleindustrial.com)



813-247-4900