

316 TRI-CLAMP BUTTERFLY VALVE



COLE
INDUSTRIAL
PVF | SANITARY | STRUCTURAL
—STREAMLINED—



FEATURES

- 100% hydraulic tested / 100% inspected
- Field serviceable (no special tools required)
- Vacuum rating: 0.4 inches Hg at 68°F
- Low resistance to flow
- Bi-directional flow
- Polyacetal bushings for the valve disc for reduced friction and increased life cycle
- All wetted surfaces are 32Ra minimum
- Lockout/Tagout handle (trigger handle only)

OPTIONS

Handle

- » 12-position stainless steel trigger handle standard
- » 12-position black plastic trigger handle
- » 4-position pull handle

Connection

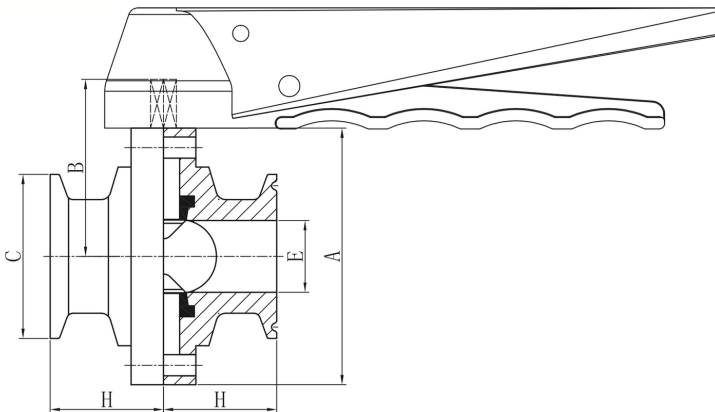
- » Stocked with clamp ends
- » Butt weld and other end connections available upon request

Material

- » 304 optional or 316L standard forged stainless steel body and disc

Seat

- » EPDM (standard)
- » Silicone
- » FKM/VITON



SIZE	A	B	C	E	H
1"	3.11	1.95	2.00	0.87	1.38
1.25"	3.11	1.95	2.00	1.14	1.38
1.5"	3.35	2.07	2.00	1.37	1.38
2"	3.94	2.36	2.52	1.87	1.46
2.5"	4.53	2.66	3.05	2.37	1.50
3"	5.00	2.89	3.58	2.87	1.54
3.5"	5.50	3.15	4.17	3.35	1.54
4"	6.14	3.46	4.69	3.85	1.77



www.coleindustrial.com



813-247-4900