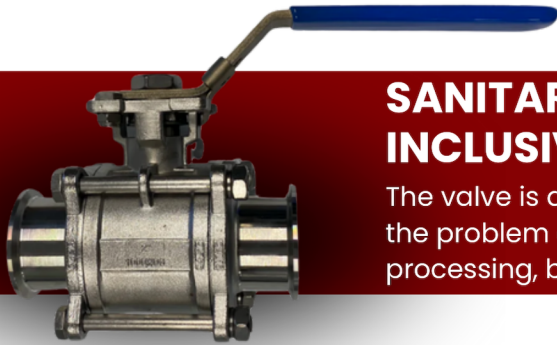


316 STAINLESS STEEL BALL VALVE



COLE
INDUSTRIAL
PVF | SANITARY | STRUCTURAL
—STREAMLINED—



SANITARY 3-PIECE HIGH PLATFORM ALL-INCLUSIVE NON-RETAINING BALL VALVE

The valve is designed as an all-inclusive valve seat, which solves the problem of liquid retention valve cavity. The ball valve is in food processing, beverage, juice, brewing, biopharmaceutical, etc.

NO.	NAME	NUMBER	MATERIAL
1	Body	1	ASTM-A351-CF3M
2	Cap	2	ASTM-A351-CF3M
3	Hexnut	4	SS304
4	Bolt	4	SS304
5	Seat	2	PTFE
6	Ball	1	SS316L
7	Stem	1	SS316L
8	Stem packing	2	PTFE
9	Ring	1	PTFE
10	O-Ring	1	VITON
11	Thrust washer	3	PTFE
12	Gasret	1	SS304
13	Butterfly spring	2	SS304
14	Hexnut	1	SS304
15	Hexnut	1	SS304
16	Bellevue washer	1	SS304
17	Bolt	1	SS304
18	Butterfly spring	2	SS304
19	Handle	1	SS304
20	Handle nut	1	SS304
21	Lock washer	1	SS304
22	Handle cover	1	PLASTIC
23	Stop pin	1	SS304

SPECIFICATIONS

Specification: 1/2" - 6"

Material: 304/CF8, 316L/CF3M

Applicable Temperature: -20°C, -150°C

Sealing Material: PTFE

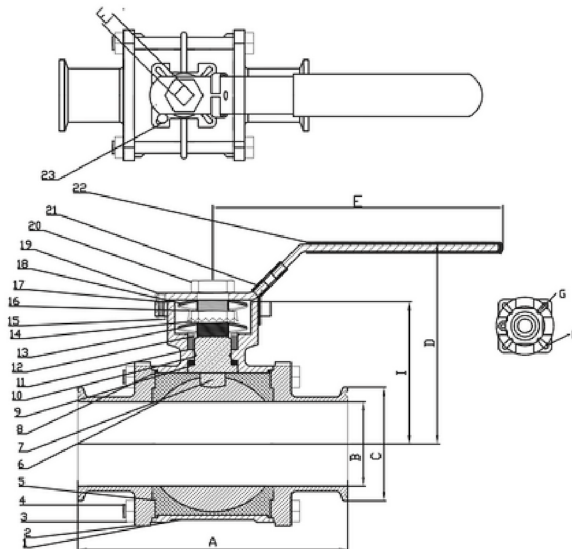
Pressure: 8-10bar

Mode of Operation: Manual, Pneumatic, Electric

Connection Method: Clamp, Welding, Thread, SMS, ISO, DIN, RJT, IDF, BTE

Internal Treatment of Valve Body: CNC machining of the inner surface, Ra0.6um

Certification: 3A



1/2"-6" Encapsulated and ISO mounting pad.
Flange connection size refer to standard ISO5211

SIZE	A ±0.3	B ±0.06	C ±0.06	D ±1	E ±1	F	G	H	I ±1	N.M
1/2"	90.5	9.4	25.2	64	131	9	F03	F04	37	4-10
3/4"	103.4	15.75	25.2	68	131	9	F03	F04	43	4-10
1"	114.2	22.1	50.5	86	169	11	F04	F05	51	5-15
1.25"	126	28.5	50.5	86	169	11	F04	F05	61	10-20
1.5"	136.7	34.8	50.5	122.5	213	14	F05	F07	71	10-25
2"	153.2	47.5	64	122.5	213	14	F05	F07	79	15-30
2.5"	163.3	60.2	77.5	139.5	213	14	F05	F07	94	20-35
3"	192.3	72.9	91	165	320	17	F07	F10	109.5	40-65
4"	239.5	97.4	119	177	320	17	F07	F10	123	40-80
6"	378	146.8	167	205	490	27	F10	F12	169	60-120

