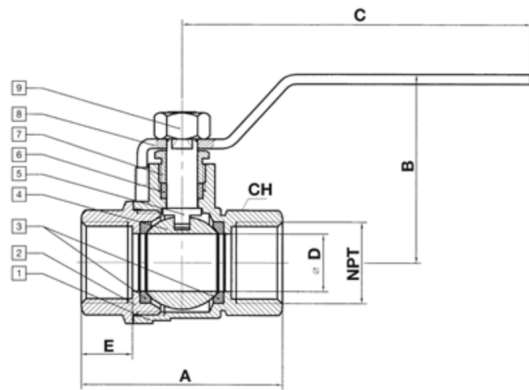


2 PIECE FORGED BRASS BALL VALVE #200BRFT



Item	Description	Material
1	Body	FORGED BRASS, UNS#C37700
2	Cap	FORGED BRASS, UNS#C37700
3	Seat	VIRGIN PTFE
4	Ball	COPPER ALLOY Cu>57% _m , Cr PLATED
5	Stem	BRASS, ASTM B16, UNS#C36000
6	Packing	VIRGIN PTFE
7	Gland	BRASS, ASTM B16, UNS#C36000
8	Handle	CORROSION RESISTANT PLATED STEEL
9	Nut	CORROSION RESISTANT PLATED STEEL

SIZE	A	B	C	D	E	CH	NPT	WT
1/4"	1.68	1.67	2.76	0.32	0.46	0.71	1/4-18	0.33
3/8"	1.76	1.73	3.54	0.39	0.46	0.79	3/8-18	0.30
1/2"	2.05	1.92	3.54	0.58	0.52	0.98	1/2-14	0.44
3/4"	2.37	2.09	3.78	0.74	0.56	1.20	3/4-14	0.66
1"	2.76	2.59	4.53	0.95	0.63	1.49	1-11.5	1.10
1-1/4"	3.31	2.95	4.53	1.26	0.71	1.81	1 1/4-11.5	1.57
1-1/2"	3.68	3.35	5.51	1.58	0.72	2.09	1 1/2-11.5	2.40
2"	4.18	3.68	5.51	1.99	0.75	2.60	2-11.5	3.37
2-1/2"	5.36	4.76	8.68	2.52	1.08	3.39	2 1/2-8	9.00
3"	6.09	5.08	8.68	2.95	1.10	3.87	3-8	12.00
4"	7.39	5.87	9.61	3.90	1.22	4.88	4-8	18.15

*Weight values are in lb.

