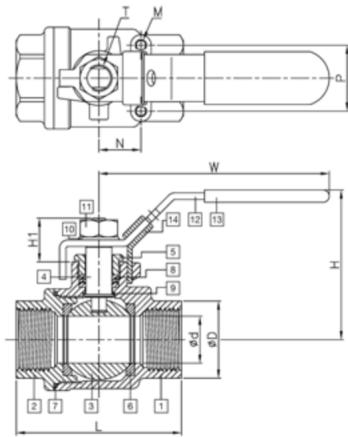


# 2-PIECE CARBON STEEL BALL VALVE #256FTS



Item	Description	Material
1	Body	ASTM A216-WCB
2	Cap	ASTM A216-WCB
3	Ball	ASTM A351-CF8M
4	Stem	ASTM A276-316
5	Gland	AISI 304
6	Seat	RTFE
7	Seal	PTFE
8	Packing	PTFE
9	Thrust Washer	PTFE
10	Spring Washer	AISI 304
11	Nut	AISI 304
12	Handle	AISI 304
13	Handle Sleeve	PVC
14	Locking Device	AISI 304

SIZE	ød	øD	L	H	H1	T	W	N	P	M	Torque	WT
1/4"	0.46	0.75	2.00	2.30	0.71	3/8"-24UNF	3.94	0.50	1.12	3/16"	32	0.50
3/8"	0.49	0.89	2.00	2.30	0.71	3/8"-24UNF	3.94	0.50	1.12	3/16"	36	0.50
1/2"	0.59	1.02	2.28	2.30	0.73	3/8"-24UNF	3.94	0.50	1.12	3/16"	49	0.70
3/4"	0.79	1.26	2.58	2.50	0.89	7/16"-20UNF	4.92	-	-	-	67	1.00
1"	0.98	1.50	3.10	3.07	0.98	7/16"-20UNF	5.87	-	-	-	98	1.70
1-1/4"	1.26	1.89	3.54	3.27	1.02	7/16"-20UNF	5.87	-	-	-	133	2.50
1-1/2"	1.50	2.16	4.13	4.02	1.18	1/2"-20UNF	7.48	-	-	-	177	3.90
2"	1.97	2.64	4.88	4.25	1.18	1/2"-20UNF	7.48	-	-	-	354	5.90
2-1/2"	2.48	3.35	5.75	5.43	1.57	3/4"-10UNF	9.84	-	-	-	531	12.40
3"	2.99	3.94	6.46	5.75	1.57	3/4"-10UNF	9.84	-	-	-	753	16.50

\*Actual torque values may vary. Please consult the factory.

\*\*All torque values are in in-lb. Weight values are in lb.

