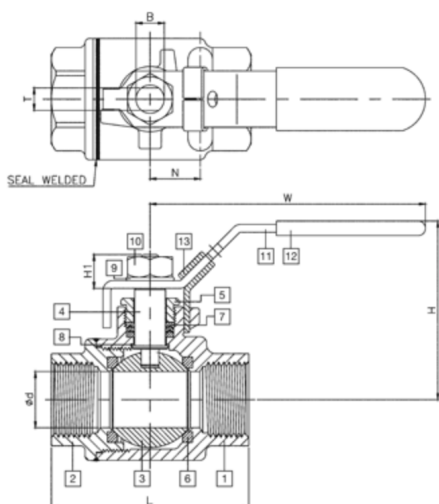


# 2 PIECE 316 STAINLESS STEEL BALL VALVE #266FT-NACE/SEAL WELDED



COLE  
INDUSTRIAL  
SANITARY | STRUCTURAL  
—STREAMLINED—



Item	Description	Material
1	Body	ASTM A351-CF8M
2	Cap	ASTM A351-CF8M
3	Ball	ASTM A351-CF8M
4	Stem	ASTM A276-316
5	Gland Nut	AISI 304
6	Seat	RTFE
7	Packing	GRAPHITE
8	Thrust Washer	CTFE
9	Spring Washer	AISI 304
10	Nut	AISI 304
11	Handle	AISI 304
12	Handle Sleeve	PVC
13	Locking Device	AISI 304

SIZE	ød	L	W	H	H1	T	C	Torque	WT
1/4"	0.46	2.38	4.02	2.11	0.41	5/16"	0.20	46	0.90
3/8"	0.50	2.38	4.02	2.11	0.41	5/16"	0.20	57	0.70
1/2"	0.59	2.46	4.02	2.24	0.41	5/16"	0.20	57	0.90
3/4"	0.80	3.03	4.88	2.44	0.53	3/8"	0.26	57	1.30
1"	1.01	3.54	6.50	3.15	0.62	7/16"	0.31	101	2.40
1-1/4"	1.26	3.94	6.50	3.30	0.62	7/16"	0.31	254	3.50
1-1/2"	1.50	4.65	7.40	3.90	0.67	1/2"	0.35	288	5.10
2"	2.00	5.43	7.40	4.21	0.67	1/2"	0.35	392	8.40

\*Actual torque values may vary. Please consult the factory.

