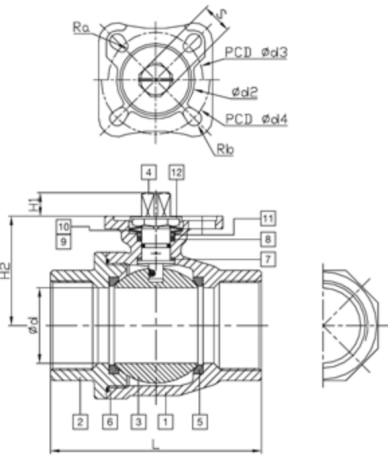


2 PIECE STAINLESS STEEL BALL VALVE #266FT-DM



Item	Parts	Material
1	Body	ASTM A351-CF8M
2	Cap	ASTM A351-CF8M
3	Ball	ASTM A351-CF8M
4	Stem	ASTM A276-316
5	Ball Seat	TFM 1600
6	Gasket	PTFE
7	Thrust Washer	PTFE
8	Packing	PTFE
9	O Ring	VITON
10	Disc Spring	AISI 304
11	Gland Ring	AISI 304
12	Lock Washer	AISI 304

SIZE	d	L	ISO 5211	S	h1	h2	d2	d3	d4	R1	R2	Torque	WT
1/4"	0.31	2.95	F03/F04	0.35	0.31	1.54	1.22	1.42	1.65	0.11	0.11	32	1.10
3/8"	0.39	2.95	F03/F04	0.35	0.31	1.54	1.22	1.42	1.65	0.11	0.11	32	1.10
1/2"	0.59	2.95	F03/F04	0.35	0.31	1.54	1.22	1.42	1.65	0.11	0.11	32	1.10
3/4"	0.79	3.15	F03/F04	0.35	0.31	1.73	1.22	1.42	1.65	0.11	0.11	58	1.30
1"	0.98	3.56	F04/F05	0.43	0.35	1.87	1.40	1.65	1.97	0.11	0.14	85	2.20
1-1/4"	1.26	4.33	F04/F05	0.43	0.47	2.09	1.40	1.65	1.97	0.11	0.14	98	3.30
1-1/2"	1.50	4.72	F05/F07	0.55	0.51	2.54	2.20	1.97	2.76	0.14	0.18	116	5.10
2"	1.97	5.51	F05/F07	0.55	0.53	2.87	2.20	1.97	2.76	0.14	0.18	461	7.90

*Actual torque values may vary. Please consult the factory.

**All torque values are in in-lb. Weight values are in lb.

