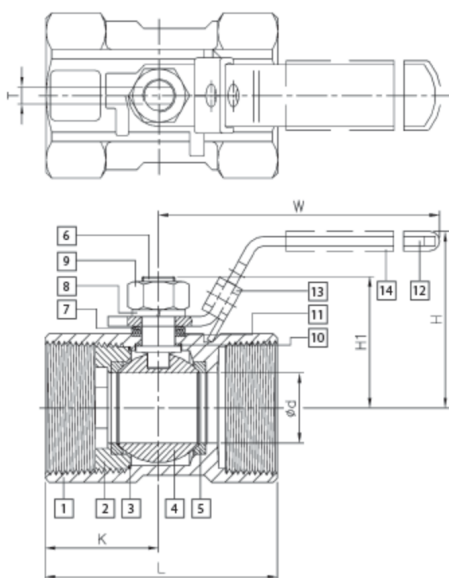


# 1-PIECE 316 STAINLESS STEEL BALL VALVE



Item	Description	Material
1	Body	ASTM A351-CF8M
2	Retainer	ASTM A351-CF8M
3	Body Seal	PTFE
4	Ball	ASTM A351-CF8M
5	Ball Seat	PTFE/RTFE
6	Stem	ASTM A276-316
7	Flat Washer	AISI 304
8	Spring Washer	AISI 304
9	Stem Nut	AISI 304
10	Thrust Washer	PTFE
11	Packing	PTFE
12	Handle	AISI 304
13	Latch Lock	AISI 304
14	Handle Sleeve	PVC

SIZE	ød	L	H	H1	T	W	K	Torque	WT
1/4"	0.20	1.54	1.50	0.67	0.12	2.43	0.79	8	0.15
3/8"	0.28	1.73	1.62	0.84	0.16	2.89	0.91	9	0.23
1/2"	0.35	2.22	1.60	1.03	0.20	3.73	1.14	11	0.39
3/4"	0.49	2.32	1.74	1.13	0.20	3.73	1.14	16	0.57
1"	0.59	2.80	2.22	1.44	0.24	4.39	1.38	26	0.93
1-1/4"	0.79	3.07	2.44	1.59	0.24	4.43	1.50	44	1.65
1-1/2"	0.98	3.27	2.49	1.83	0.31	6.30	1.59	66	1.87
2"	1.26	3.94	2.70	2.01	0.31	6.32	1.93	79	2.98

\*Actual torque values may vary. Please consult the factory.

\*\*All torque values are in in-lb. Weight values are in lb.

